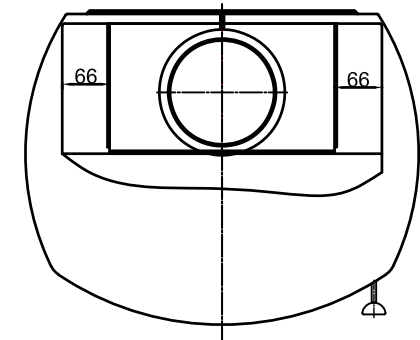
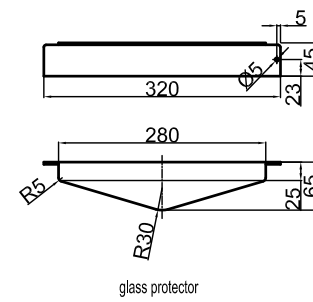
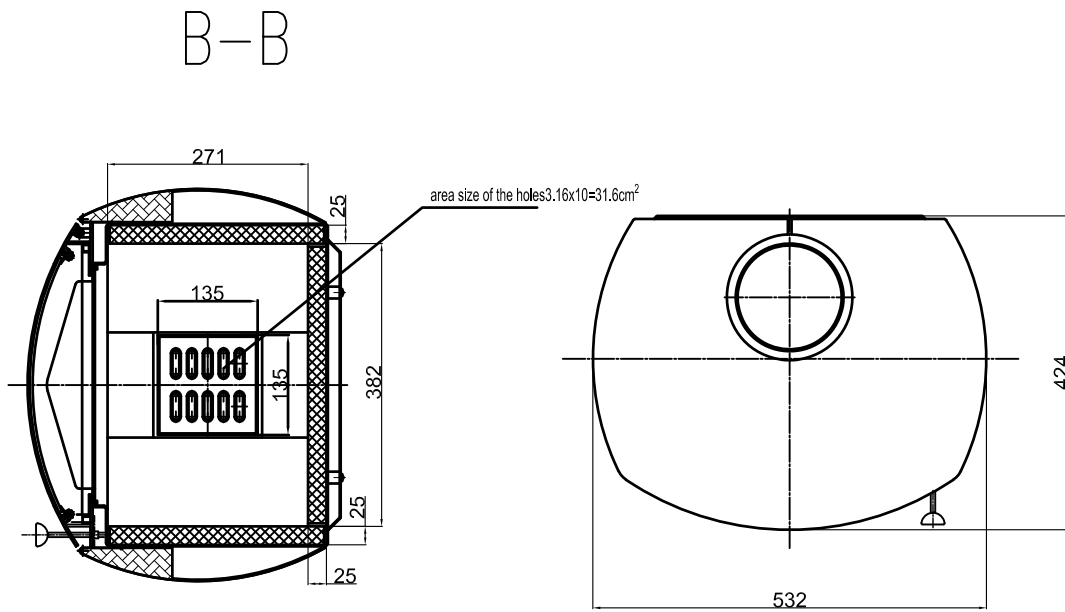
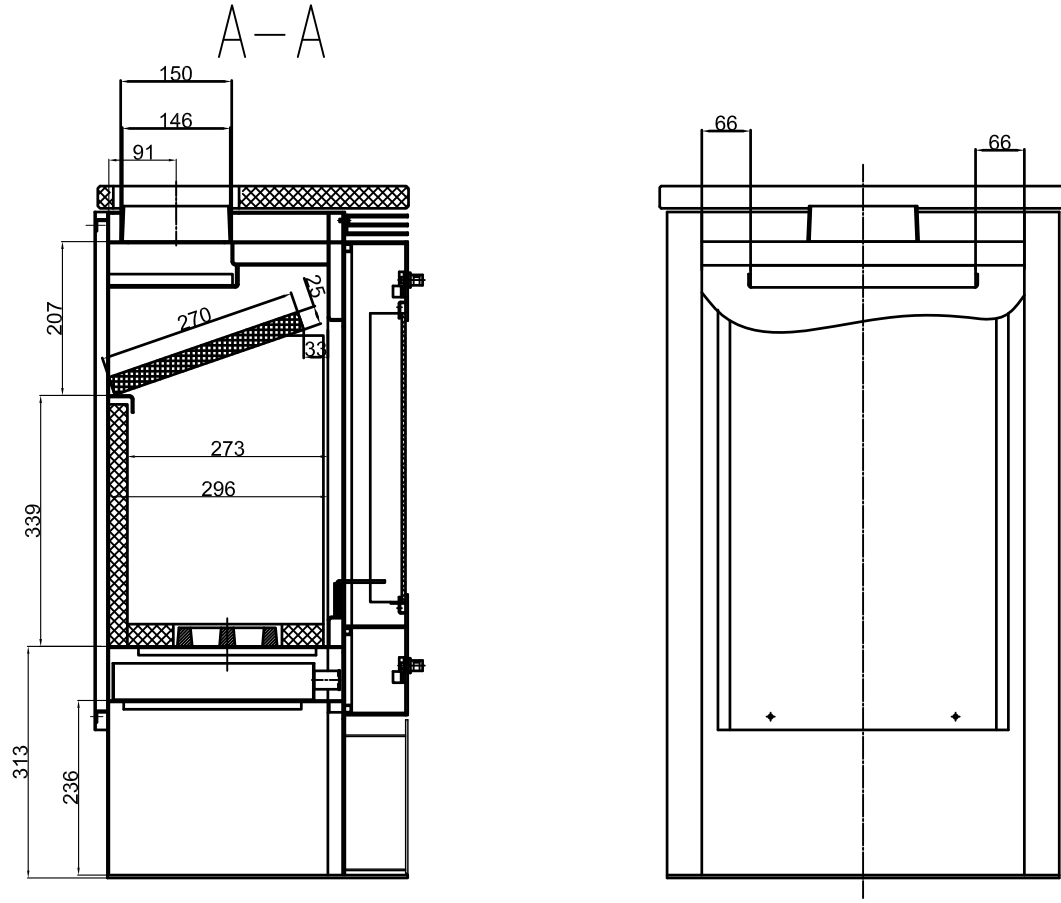
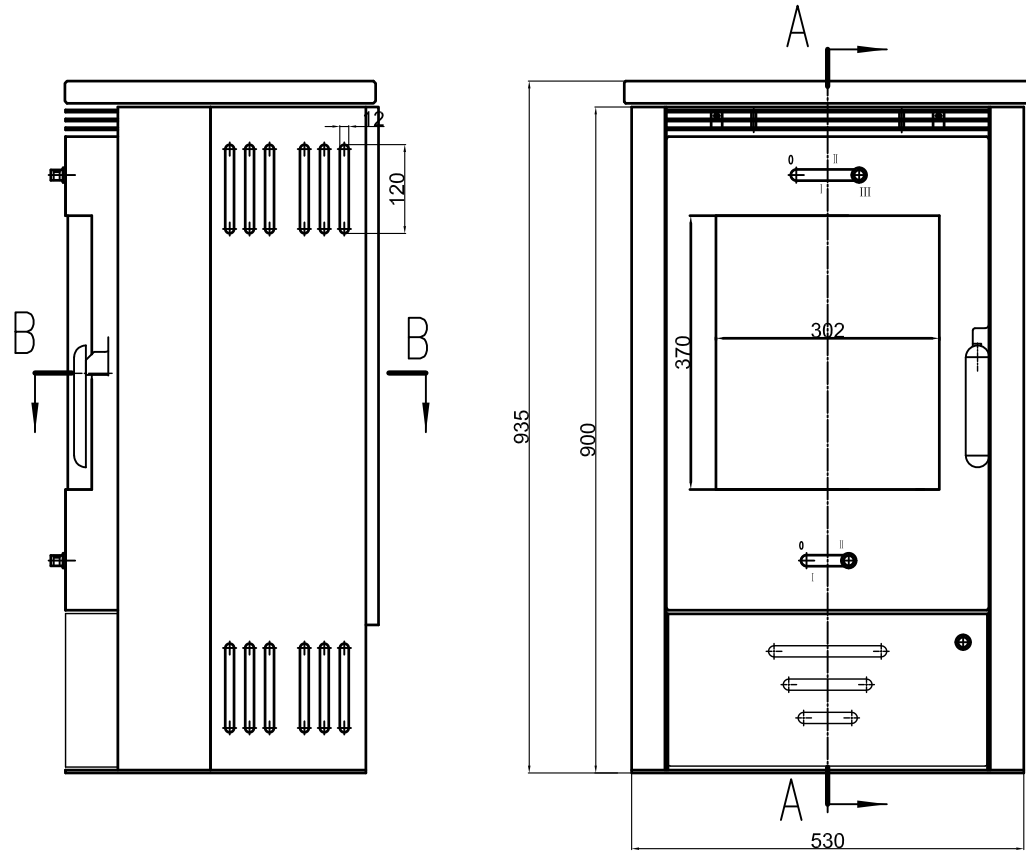
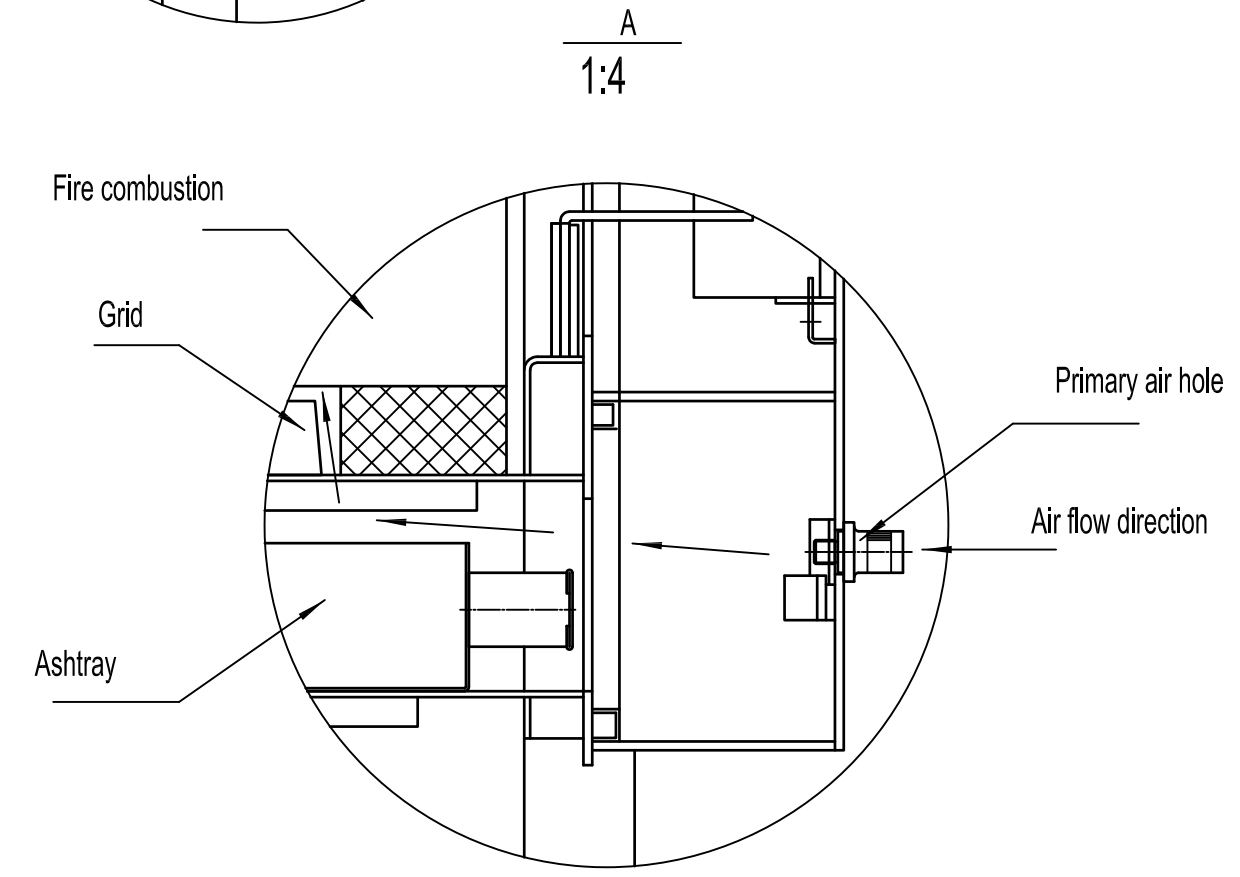
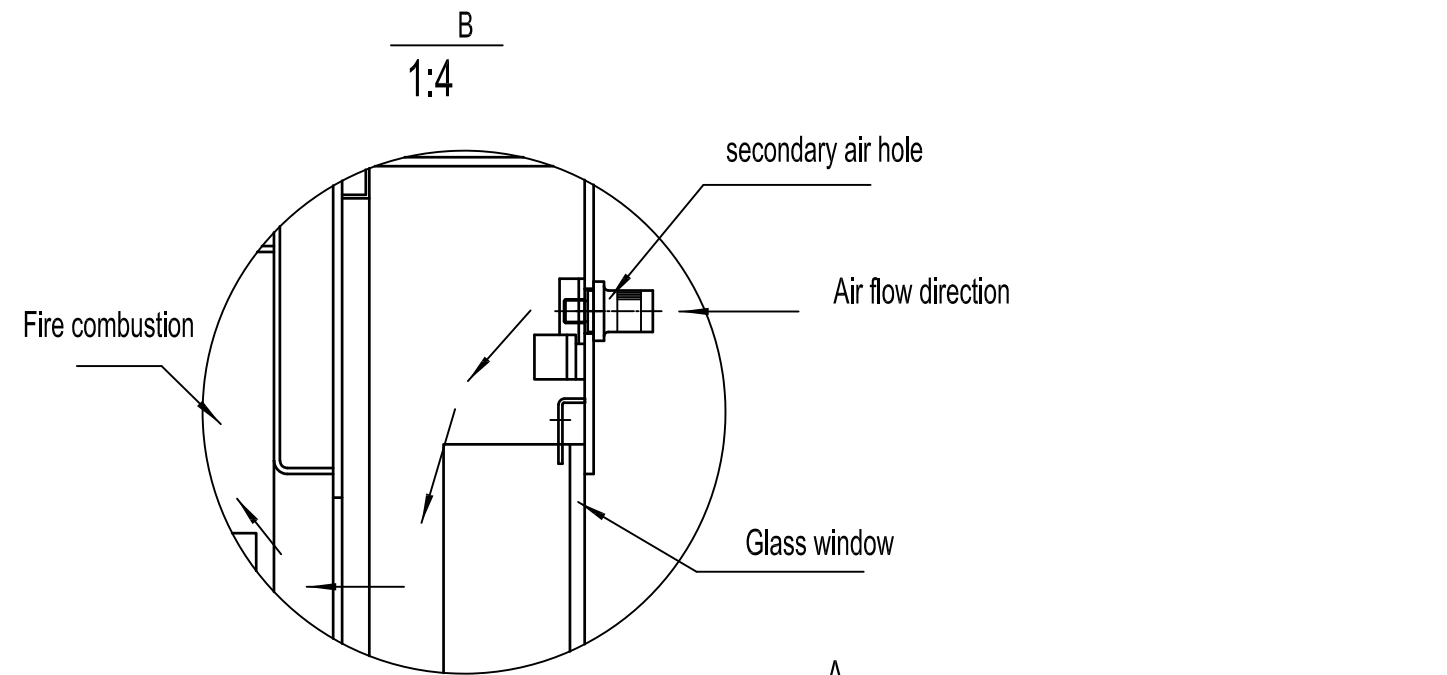
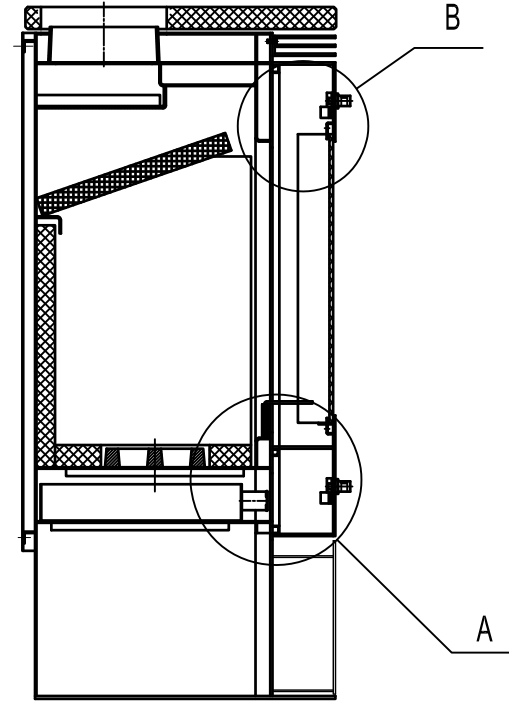
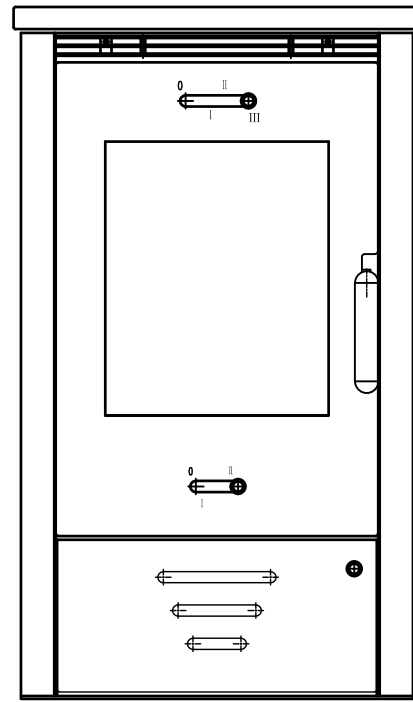


# Drawing 1\_construction



Accente limited				Scale: 1: 10	
		Date	Name	UNI-1146-XTS13	
		2018/05/17	Manna	3.0-DELUXE	
				Material thickness of burning room steel: 2mm	
				Primary air hole size: 10.32cm <sup>2</sup>	
				Secondary air hole size: 14.52cm <sup>2</sup>	
				page 1 of 3	
				Drawing No. 01	subtitle
				construction	
status	changes	date	by (name)	Flat/RM 2414 24/F	
				Cheung Tung House	
				Tung Tau (II) Estate	
				Wong Tai Sin, KL Hongkong	

# Drawing 2\_air flow

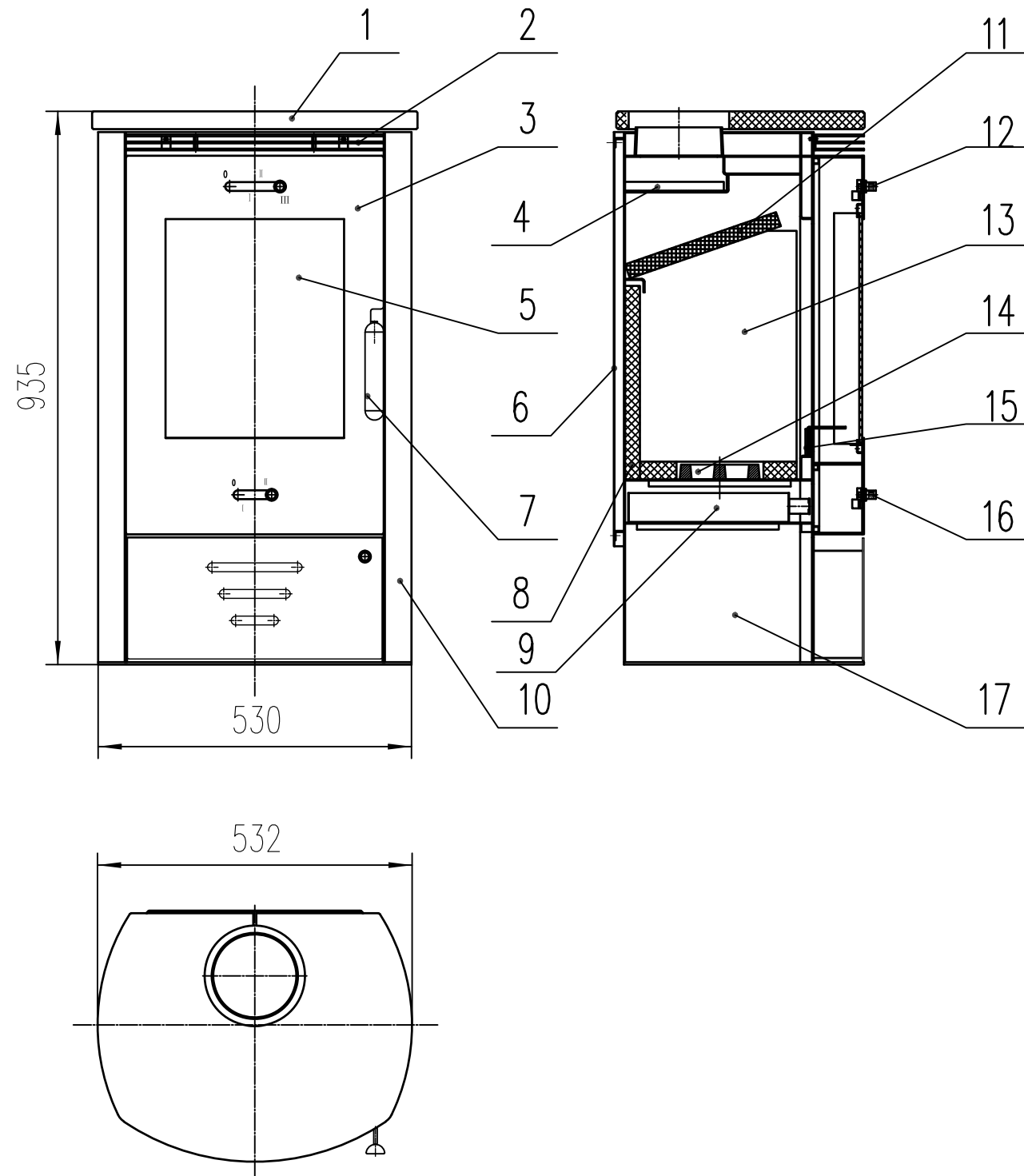


secondary air hole	Primary air hole
full open	full open
12.6cm <sup>2</sup>	6.1cm <sup>2</sup>
6.1cm <sup>2</sup>	10.3cm <sup>2</sup>
10.3cm <sup>2</sup>	8.5cm <sup>2</sup>
8.5cm <sup>2</sup>	2.2cm <sup>2</sup>

fuel \ position	Primary air	Secondary air
coal		
wood		

Accente limited			Scale: 1: 10	
created	Date	Name	UNI-1146-XTS13	
checked	2018/05/17	Manna	3.0-DELUXE	
			Material thickness of burning room steel: 2mm	
			Primary air hole size: 10.32cm <sup>2</sup>	
			Secondary air hole size: 14.52cm <sup>2</sup>	
			page 2 of 3	
			Drawing No. 02	
			subtitle	
			airflow	
status	changes	date	by (name)	
			Flat/RM 2414 24/F	
			Cheung Tung House	
			Tung Tau(II) Estate	
			Wong Tai Sin, KL Hongkong	

# Drawing 3\_part list



NO	Part name	NO	Part name
1	Top granite stone	11	Fireproof brick
2	Metal ribs	12	Secondary air controller
3	Stove door	13	Fireproof brick
4	Metal board	14	Grid+grid holder
5	Glass window	15	Glass protector
6	Back insulation plate	16	Primary air controller
7	Handle	17	Fuel holder
8	Fireproof brick	18	
9	Ashtray	19	
10	Side granite stone	20	

Accente limited				Date		Name		Scale: 1: 10	
				2018/05/17		Manna		UNI-1146-XTS13 3.0-DELUXE	
								Material thickness of burning room steel: 2mm Primary air hole size: 10.32cm <sup>2</sup> Secondary air hole size: 14.52cm <sup>2</sup>	
				Flat/RM 2414 24/F Cheung Tung House Tung Tau (II) Estate Wong Tai Sin, KL Hongkong		Drawing No. 03		page 3 of 3	
status changes date by (name)								subtitle partlist	